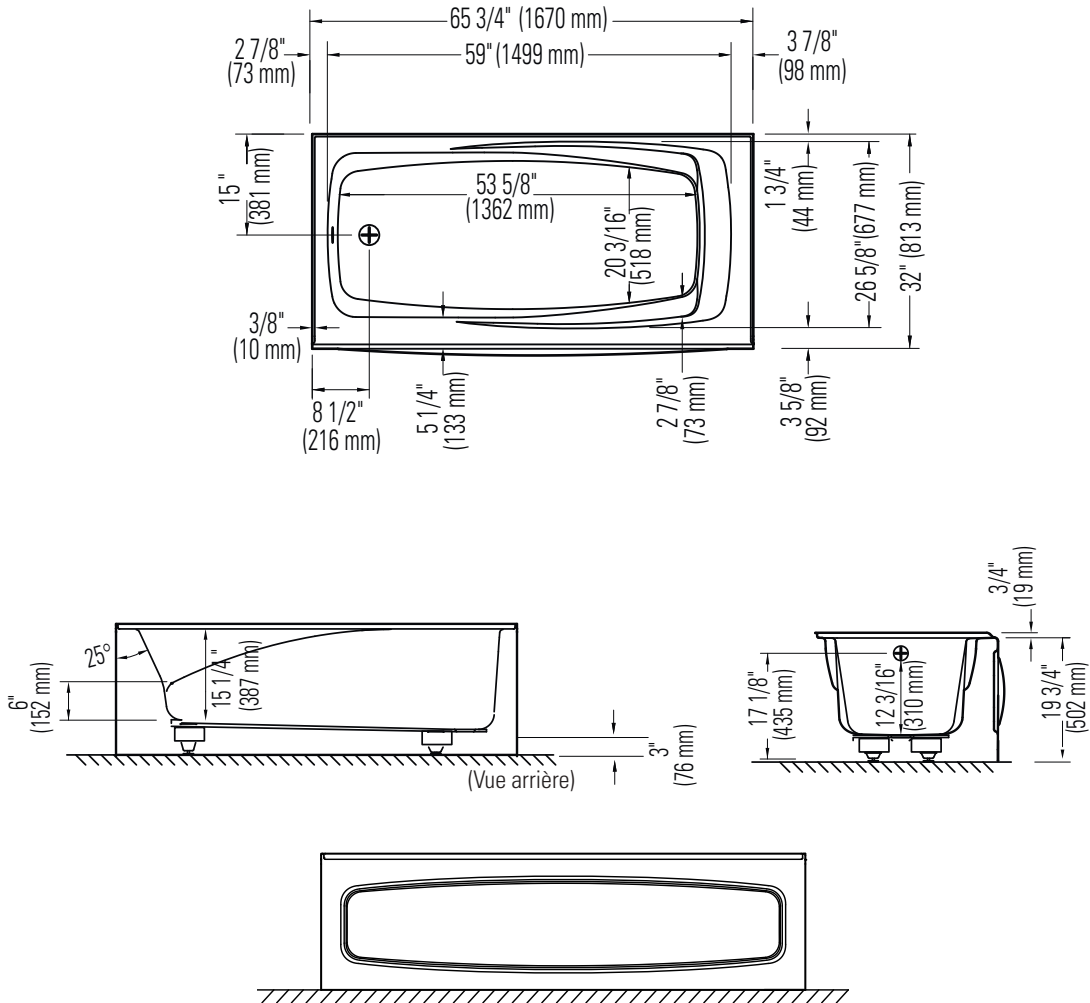






Produits Neptune

## JUNA 3266 AFR WITH INTEGRATED TILING FLANGE AND SKIRT



\*All dimensions are approximate and subject to change without notice.  
Please refer to the installation guide before beginning the installation.